

SPRSO

TECHNICAL MANUAL (UK)



All rights reserved.

No part of this document may be copied and/or published by means of printing, photocopying, microfilming or by any other means whatsoever without the prior written consent of the manufacturer. This also applies to the included drawings and/or diagrams.

The information in this document is based on data that was available at the time the design, the material characteristics and the operating methods were published, meaning that this document is subject to change.

The original instructions for this manual have been written in English. Other language versions of this manual are a translation of the original instructions.










For this reason, the instructions are merely a guideline for the installation, maintenance and repair of the machine displayed on the front cover.

This document applies to the standard version of this machine.

The manufacturer therefore declines all liability for any damage arising from specifications that deviate from the standard version of the machine delivered to you.

This document has been compiled with the utmost care. However, the manufacturer cannot be held liable for any errors it contains or the consequences thereof.

Table of contents

1. Special functions	1
1.1 Water system calibration	3
1.2 Grinder calibration	6
2. Spare parts replacement	10
2.1 Brand name buckle and control panel	10
2.2 Outlet	11
2.3 Open right side panel	12
2.4 Remove back panel	13
2.5 Remove fan	13
2.6 Remove grinder	14
2.7 Remove the water counter/safety switches	15
2.8 Remove I/O board	16
2.9 Remove power board	16
2.10 Remove flash heater	17
2.11 Remove pump	18
2.12 Remove valve set	19
2.13 Remove brewer motor	21
2.14 Hose positions	22
3. Beverage profiles	23
3.1 Profile 1: small volumes / strong coffee	23
3.1.1 Selectable volume - small 	23
3.1.2 Selectable volume - medium 	24
3.1.3 Selectable volume - large 	24
3.2 Profile 2: average volumes / regular strength	25
3.2.1 Selectable volume - small 	25
3.2.2 Selectable volume - medium 	25
3.2.3 Selectable volume - large 	26
3.3 Profile 3: large volumes / regular strength	27
3.3.1 Selectable volume - small 	27
3.3.2 Selectable volume - medium 	27
3.3.3 Selectable volume - large 	28
4. Software update instructions	29
5. Troubleshooting	31
5.1 Warning messages	31
5.2 Error messages	33
5.3 Other problems	35

General

- ▶ *Always read the safety instructions (700.403.347).
To avoid possible damage, these safety instructions must be read,
understood and followed.*
- ▶ *Manuals are subject to change, scan the QR code to retrieve current
information.*




1. Special functions

By using a 'secret key combination' special features can be activated.

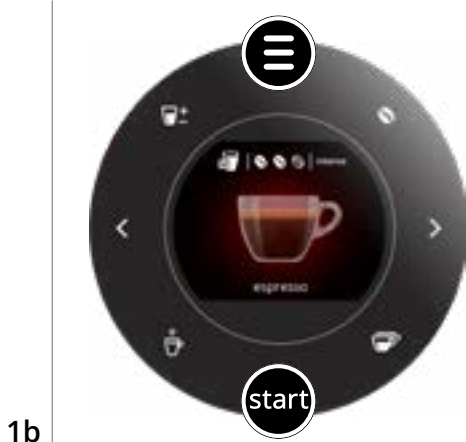


Standby mode:



- press and hold the button  for 5 seconds
- necessary flushes will be done
- the "goodbye" screen is turned off and only the start button is flashing slowly

▶ *The standby mode is a function which can be enabled for energy saving.*

▶ *Press the start button to end the standby mode.*



Demo mode on/off:



- press and hold the button combination  and  for 10 seconds

▶ *The demo mode is a function which can be enabled for marketing purposes.*

▶ *Switch off the Sprso to end the demo mode.*



Child lock on/off:


- press and hold the button combination  and  for 5 seconds

▶ *This function is to lock (and unlock) all controls to prevent accidental dosing.*



1d


Reset the cleaning brewer counter:

- press and hold the button  for 10 seconds in this screen until the maintenance menu appears
 - ▶ *The counter that triggers the clean brewer message is reset.*



1e

Reset the descaling counter:

- press and hold the button  for 10 seconds in this screen until the maintenance menu appears
 - ▶ *The counter that triggers the descale message is reset.*

1.1 Water system calibration

In this menu the water system can be calibrated.

With calibration the volume of the water is determined for a defined flow and time.

When finished the measured volume must be filled in.

- ▶ *The water system calibration is used to adjust the differences between the actual water delivery of the Sprso and the indicated amount.*



Necessities:

- measuring cup (with fine scale)



1.1a

Water system calibration:

- go to the program menu
- press and hold the button combination  and  for 5 seconds



1.1b

Calibration water system:

- press **start** to confirm



1.1c

Step 1: preparation

- make sure that you have all necessities
- press > to go to the next step

1.1d



Step 2: preparation

- follow the instructions on the screen
- press **start** to begin the calibration

1.1e



Step 3: dosing hot water

- wait for the next screen

1.1f



Step 4: measure

- read the dosed water
- press > to go to the next step

1.1g




Step 5: measure

- press < or > to enter the measured volume
- press **start** to confirm



1.1h

New water volume is saved:

- wait for the next screen
- exit the menu by pressing 

1.2 Grinder calibration

The grinder calibration will affect every coffee related beverage.



Necessities:

- coffee beans
- digital kitchen scales

1.2a



Grinder calibration:

- go to the program menu
- press and hold the button combination  and  for 5 seconds

1.2b



Calibration grinder:

- press **start** to confirm

1.2c



Step 1: preparation

- make sure that you have all necessities
- press > to go to the next step



1.2d

Step 2: preparation

- follow the instructions on the screen
- press > to go to the next step

- ▶ See also section "Adjusting the grinder" in the digital manual.
- ▶ When another position is selected the result of the calibration is incorrect and can lead to malfunctions.



1.2e

Step 3: preparation

- follow the instructions on the screen
- press **start** to confirm



1.2f

Step 4: preparation

- wait for the next screen



1.2g

Step 5: preparation

- follow the instructions on the screen

- ▶ The next screen is displayed automatically when the drip tray is removed.

1.2h



Step 6: preparation

- follow the instructions on the screen
- press > to go to the next step

► *Tare key for scales means that the scale has a key that sets the scale display to zero when an empty container is placed on the weighing platform so that only the weight of the container's contents is then displayed.*

1.2i



Step 7: calibration

- follow the instructions on the screen
- press **start** to confirm

1.2j



Step 8: calibration

- wait for the next screen

1.2k



Step 9: calibration

- follow the instructions on the screen

► *The next screen is displayed automatically when the drip tray is removed.*

1.2l



Step 10: calibration

- follow the instructions on the screen
- press > to go to the next step

1.2m



Step 11: calibration

- follow the instructions on the screen
- press < or > to enter the measured weight
- press **start** to confirm

1.2n




Step 12: information screen

- follow the instructions on the screen
- press > to go to the next step
- press **start** to confirm

1.2o



Step 13: information screen

- empty and clean the waste bin and replace all in it original position
 - the calibration procedure is completed
 - exit the menu by pressing 
- *The next screen is displayed automatically when the drip tray is removed.*

2. Spare parts replacement

Because the machine is compact, here are the steps on how to replace a particular part.

Necessities:

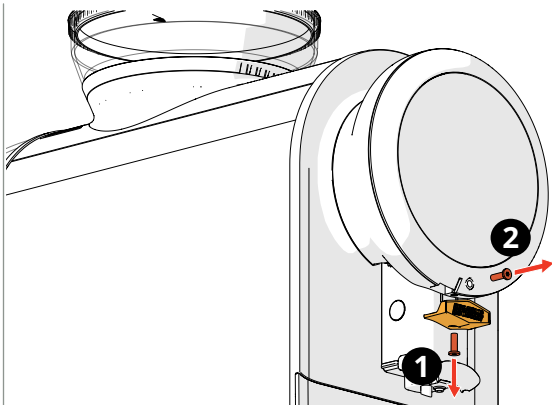
- Philips screwdriver
- screwdrivers torx 10 and 15
- curved nose pliers

Reassembly remarks:

- see the exploded views for the service part numbers
- see the electric diagram for the connections on the I/O board

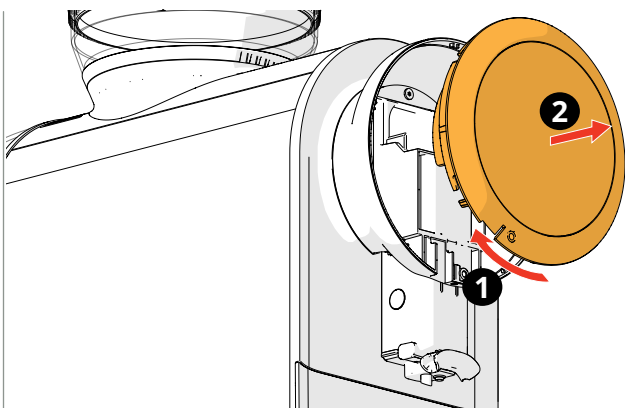
► ***Always unplug the machine to turn off the power before opening it.***

2.1 Brand name buckle and control panel



Step 1

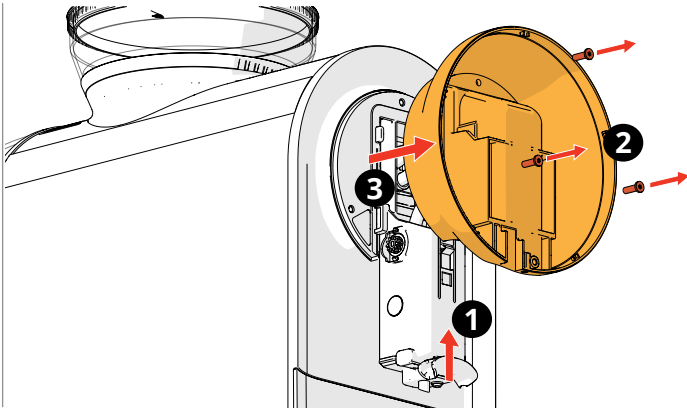
- remove the screw from the brand name buckle
- remove the screw from the control panel



Step 2

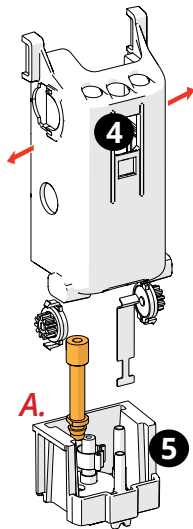
- turn the control panel slightly clockwise to unlock it
- carefully disconnect the flat cable from the control panel

2.2 Outlet



Step 1

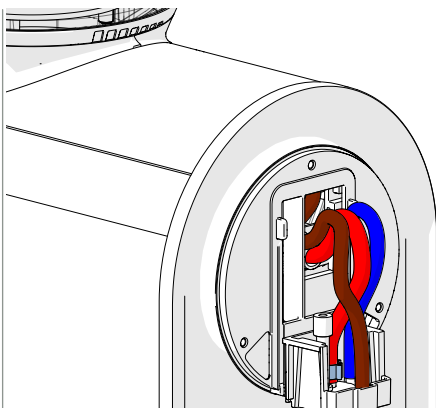
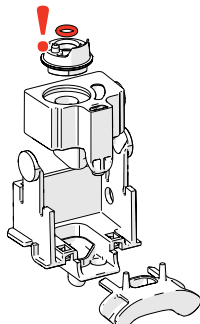
- remove the control panel
- slide the outlet upwards
- remove 3 screws from the control panel holder
- remove the control panel holder
- remove the beverage outlet



Step 2

- carefully disassemble the outlet
 - bend part 4 slightly outward to remove part 5
- *consider to exchange the O-ring*

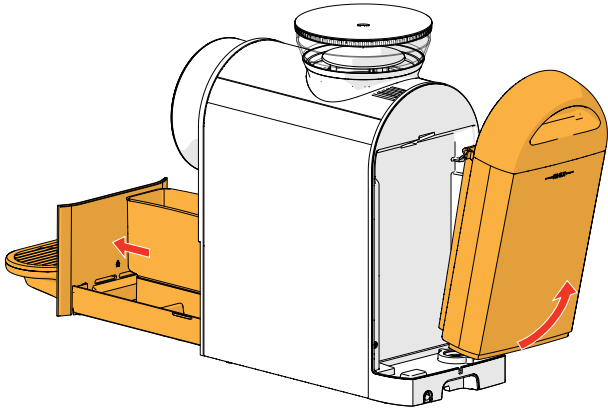
(A. air restrictor)



Hose order:

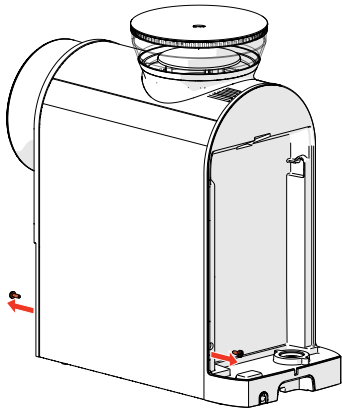
- » brown - coffee
- » red - steam (for milk)
- » blue - hot water

2.3 Open right side panel



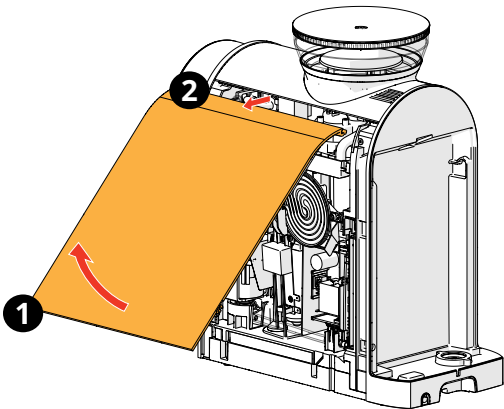
Step 1

- ▶ *Unplug the machine to turn off the power before opening it.*
- remove the drip tray and the water tank



Step 2

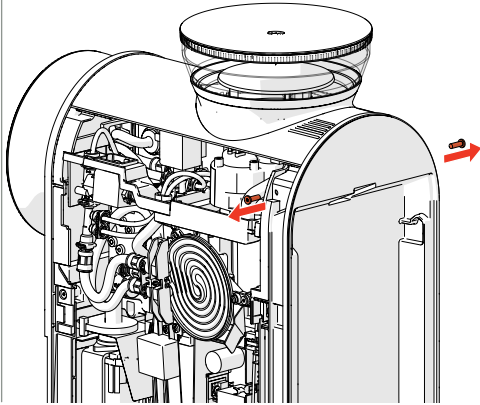
- remove 2 screws



Step 3

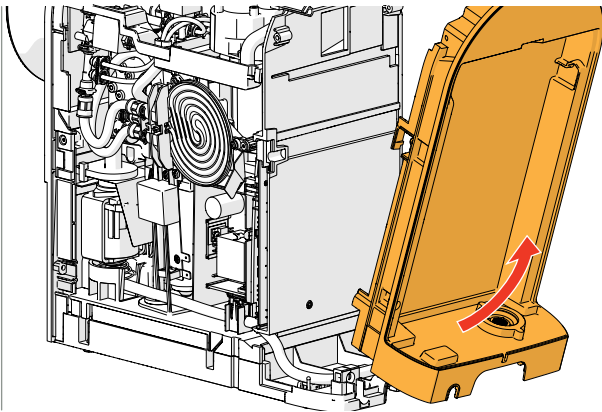
- remove the side panel

2.4 Remove back panel



Step 1

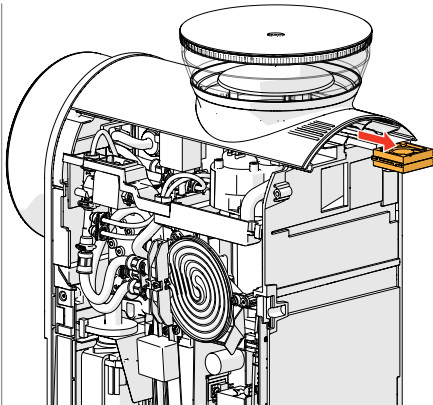
- remove both side panels
- remove 2 screws



Step 2

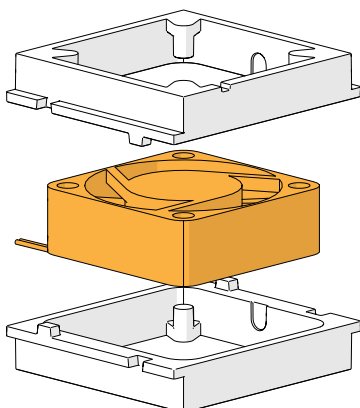
- lift the back panel
- disconnect the hose to remove the back panel

2.5 Remove fan



Step 1

- disconnect the wiring
- take out the fan



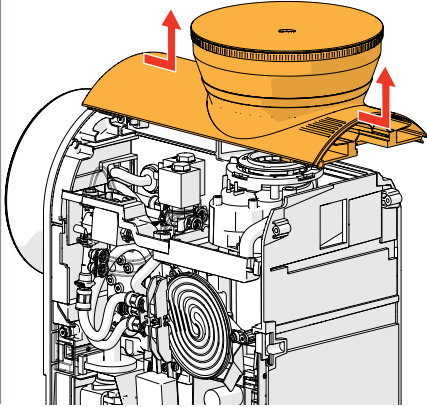
Step 2

- remove the fan suspension

► *Blade rotation:*

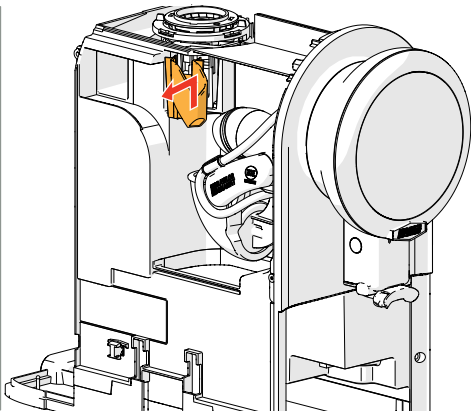
- » clockwise, as seen from the above (label side)
- » the air must be blown out of the Sprso

2.6 Remove grinder



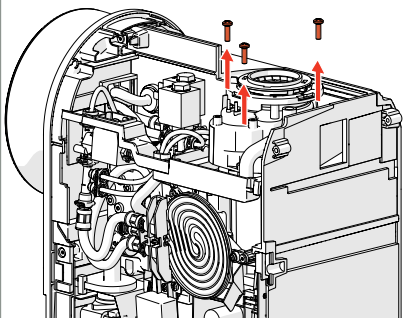
Step 1

- remove both side panels and the back panel
- remove the top of the machine



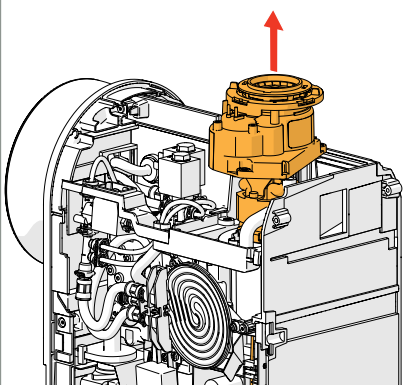
Step 2

- remove the outlet grinder



Step 3

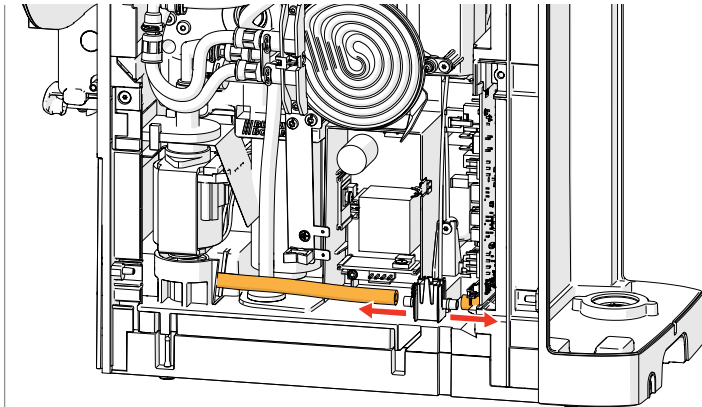
- remove 3 screws



Step 4

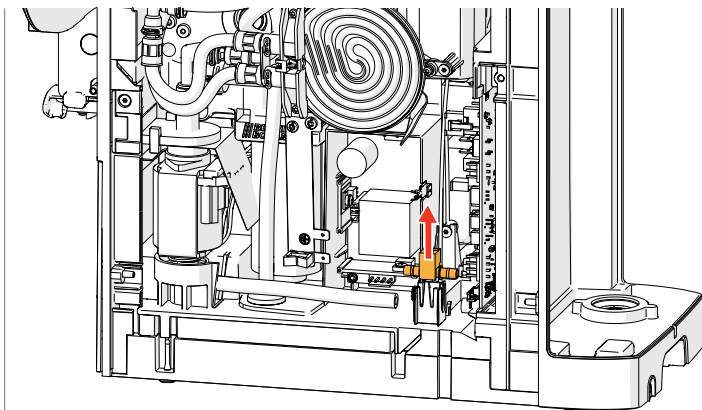
- detach the connector of the grinder from the I/O board
 - ▶ *The grinder can only be removed by cutting the wire, once this is done the grinder can no longer be used.*
- cut the wire nearby the connector
- remove the grinder

2.7 Remove the water counter/safety switches



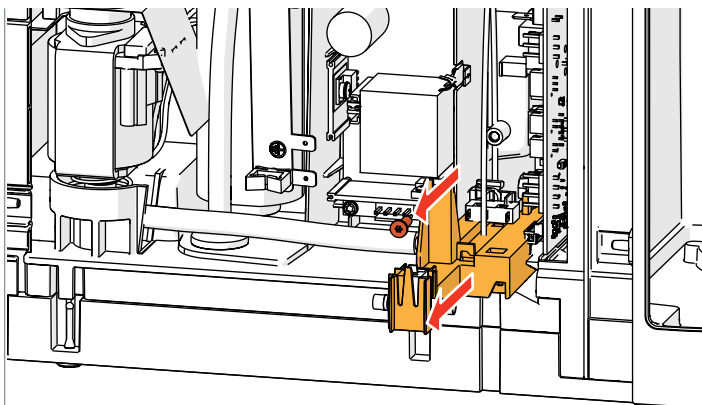
Step 1

- disconnect the hoses from the water counter



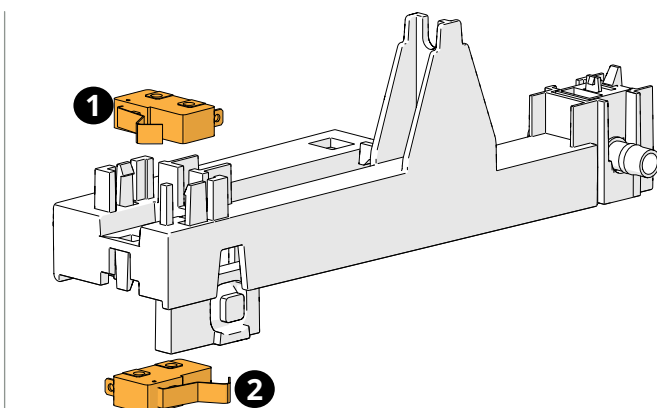
Step 2

- disconnect the wiring
- remove the water counter



Step 3

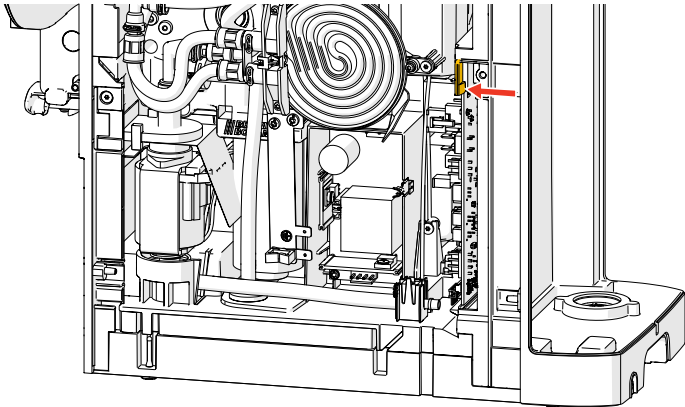
- disconnect the wiring of the water counter and the safety switches
- remove the screw from the bracket and pull out the bracket



Step 4

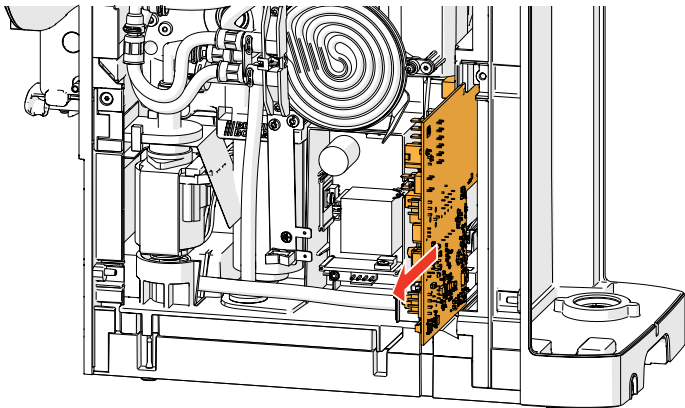
- remove the defective switches
 1. side panel safety switch
 2. drip tray safety switch

2.8 Remove I/O board



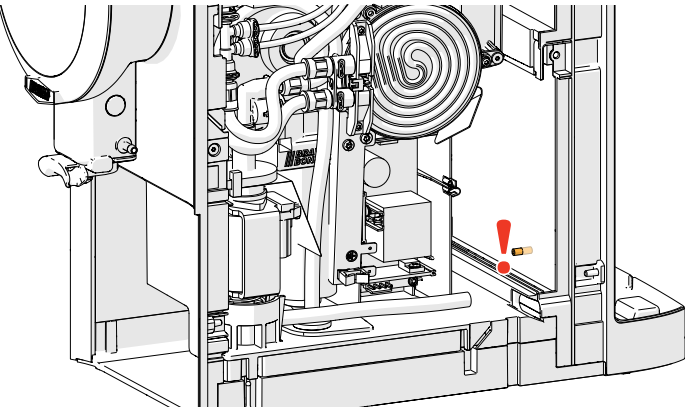
Step 1

- push the click-finger and pull out the I/O board slightly



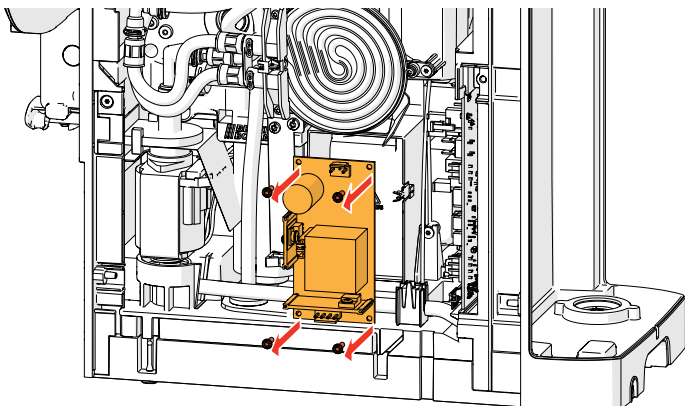
Step 2

- disconnect the wiring
- remove the I/O board



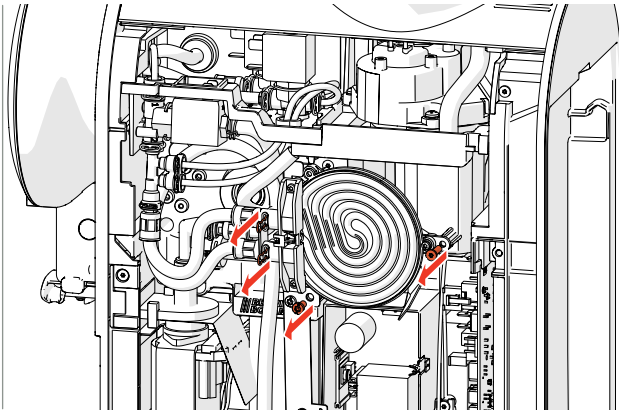
► *Position of the ferrite rod.*

2.9 Remove power board



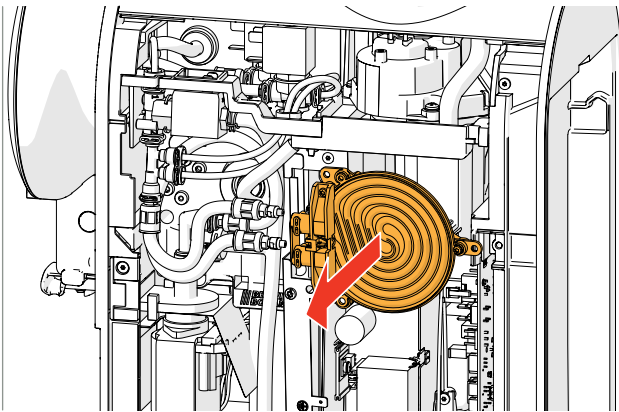
- remove the screws
- disconnect the wiring
- remove the power board

2.10 Remove flash heater



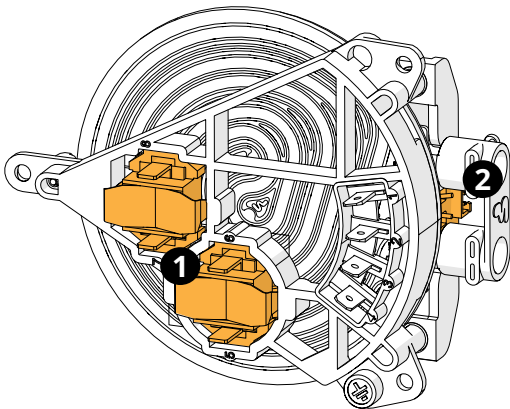
Step 1

- remove the 2 screws
- remove the 2 locking clips to disconnect the hoses (consider to exchange the O-rings)
 - ▶ *The lower connection is the cold water input.*
 - ▶ *The upper connection is the hot water output.*



Step 2

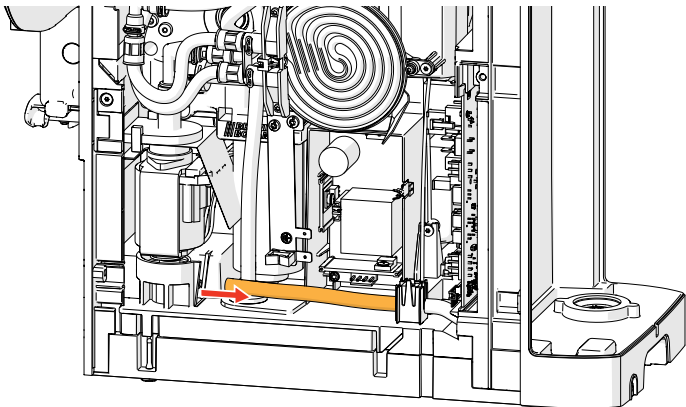
- disconnect the wiring
- remove the flash heater
 - ▶ *Consider to exchange the O-rings.*



1. high temperature safety switches (non reset-able)
2. temperature sensor

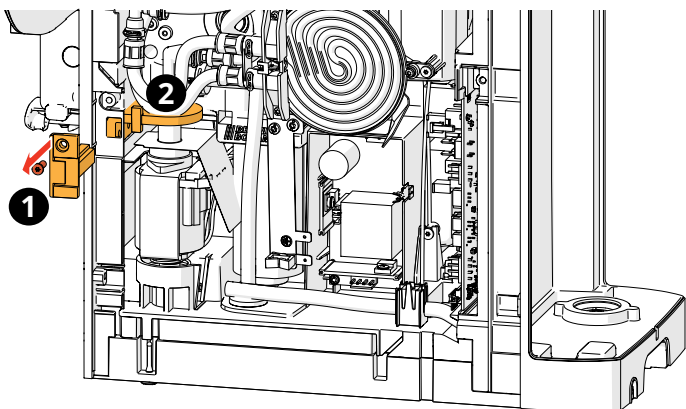
- ▶ *Make sure that the hoses of the flash heater are installed correctly, see section "2.14 Hose positions" on page 22.*
If the hoses are swapped, the Sprso will steam instead of giving hot water when the flash heater is switched on.

2.11 Remove pump



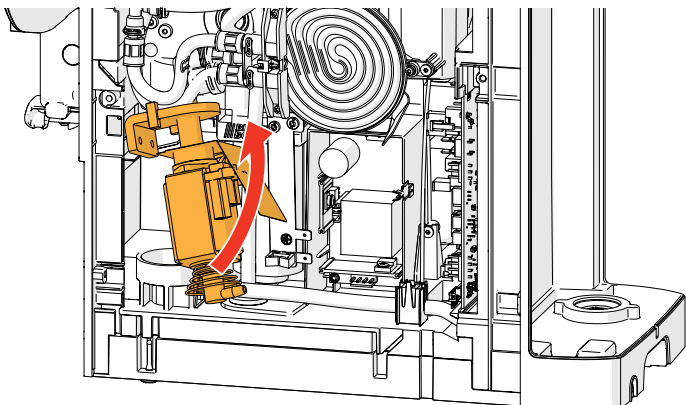
Step 1

- disconnect the hose from the pump



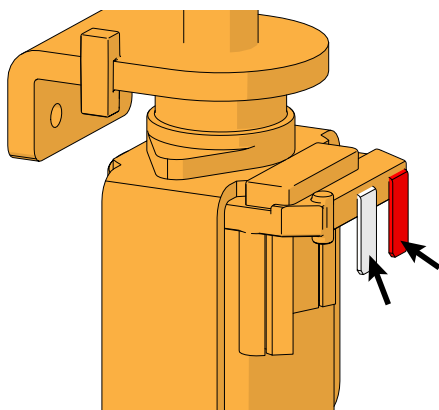
Step 2

1. remove the pump bracket
2. loosen the mounting bracket



Step 3

- disconnect the wiring
- remove the pump

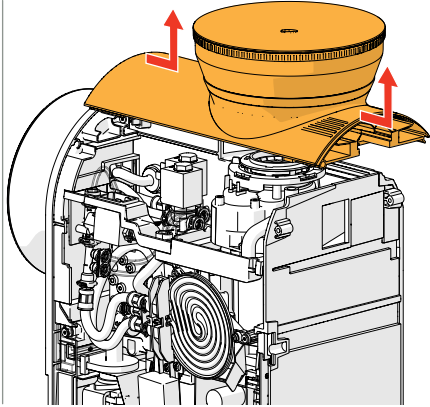


Pump wiring:

- red wire rear
- white wire in front

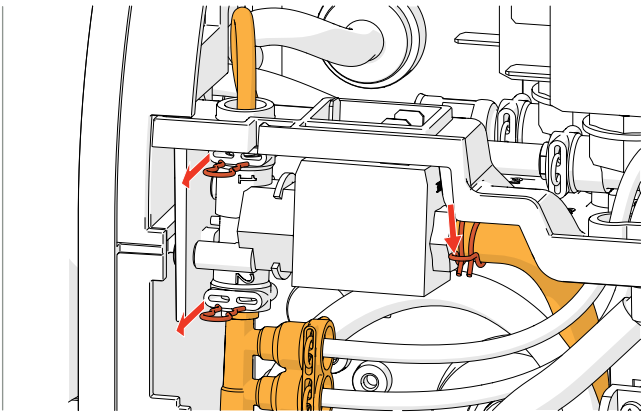
► *Connect the wires of the pump as shown, reversing the wires may result in error 00201.*

2.12 Remove valve set



Step 1

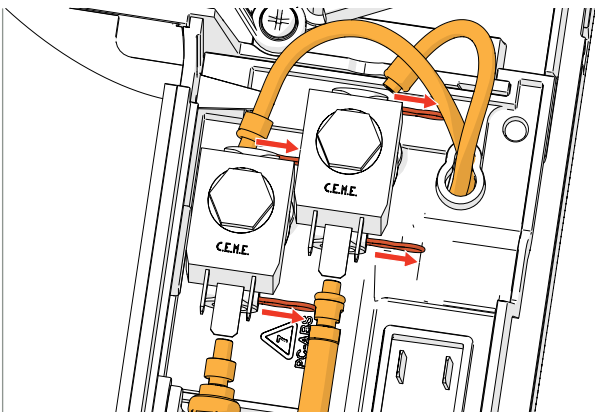
- remove both side panels and the back panel
- remove the top of the machine



Step 2

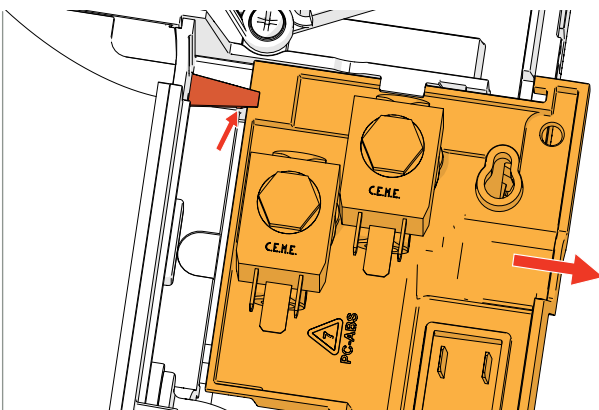
- remove the 2 locking clips and the clamp to disconnect the hoses from water valve of the brewer

► Consider to exchange the O-rings.



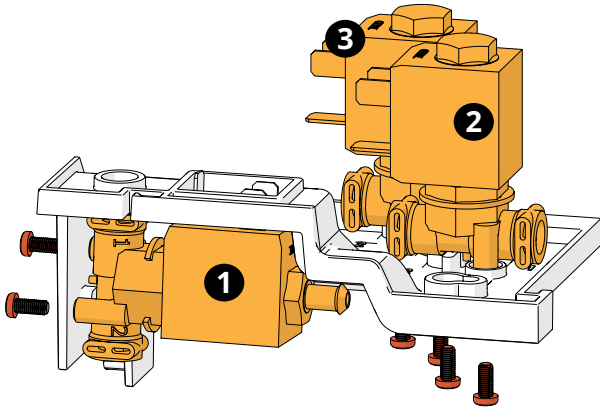
Step 3

- remove the 4 locking clips to disconnect the hoses from the other water valves
- disconnect the wiring



Step 4

- lift the click finger slightly to remove the mounting plate with the valves



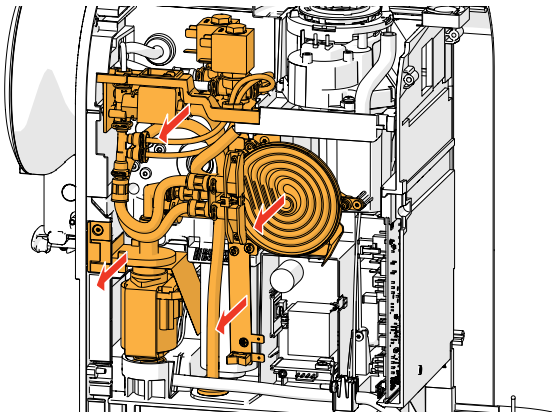
Step 5

- remove the defective valve

1. brewer valve
2. hot water valve
3. steam valve

► Consider to exchange the O-rings.

2.13 Remove brewer motor

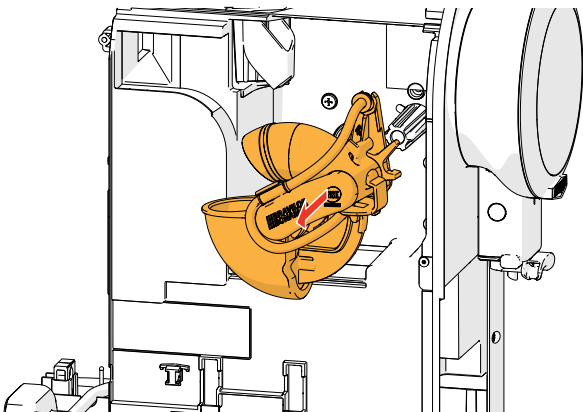


Step 1

- remove all coloured parts

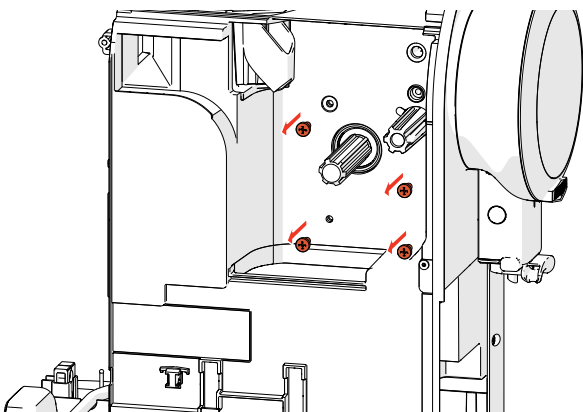
order of removal:

1. pump bracket, see section "2.11 Remove pump" on page 18
 - » no need to disconnect the hoses
2. remove the 2 screws to disconnect the heater, see section "2.10 Remove flash heater" on page 17
 - » no need to disconnect the hoses
3. remove the heater bracket (2 screws)
4. remove the bracket with valves, see section "2.12 Remove valve set" on page 19
 - » only disconnect the hoses to the outlet and inlet of the brewer



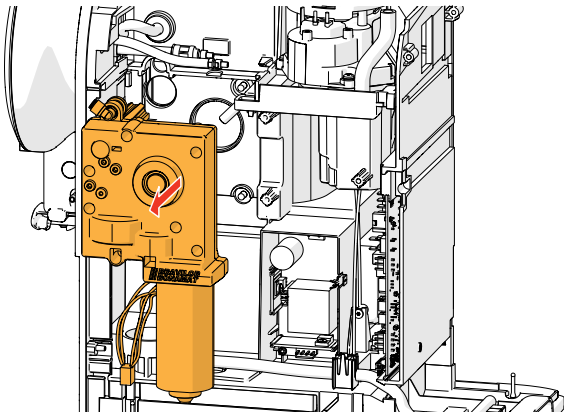
Step 2

- remove the complete CIRCO brewer



Step 3

- remove 4 screws

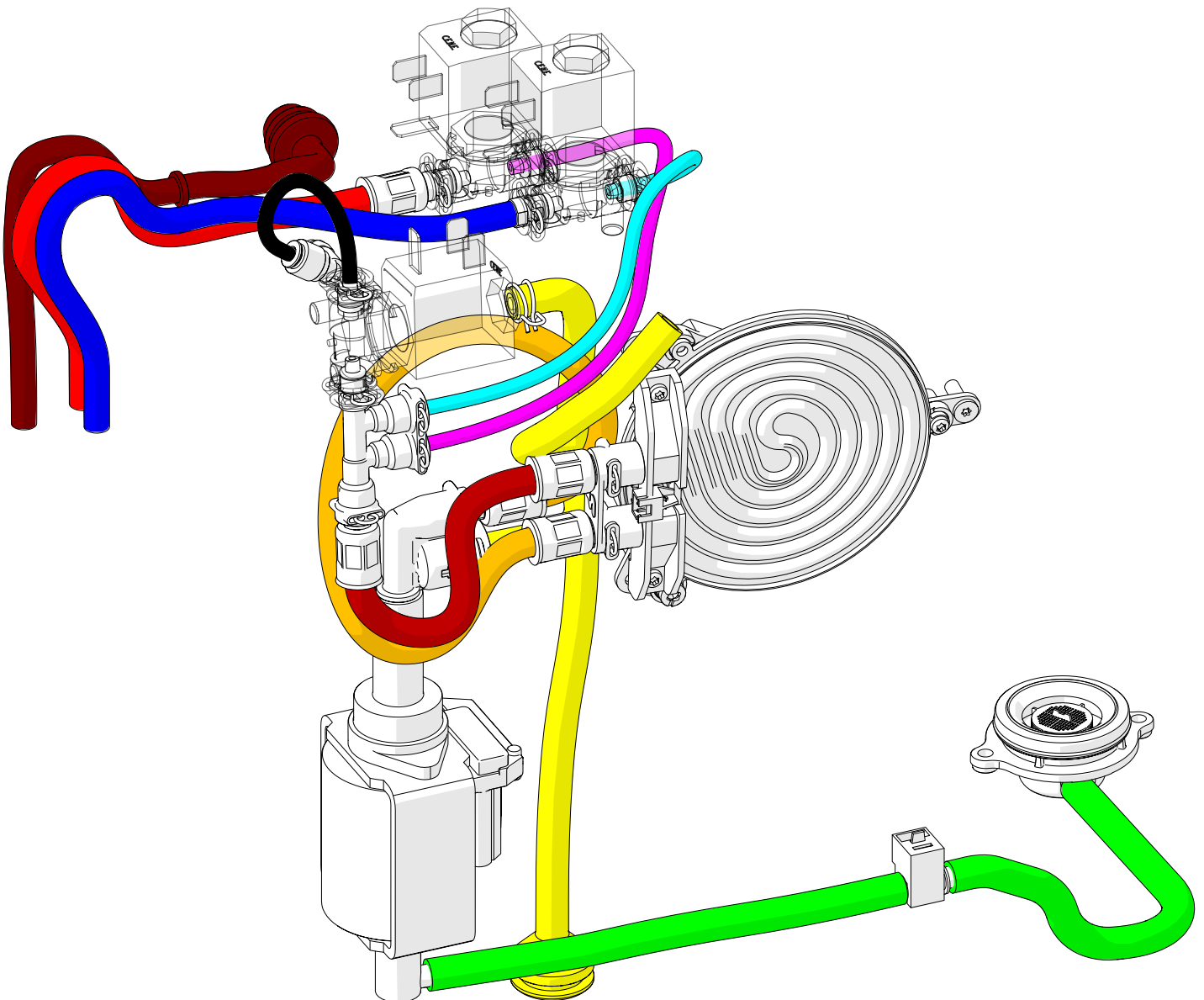


Step 4

- disconnect the wiring
- remove the brewer motor

2.14 Hose positions

► *The hoses may not touch the housing, this may cause resonance!*



3. Beverage profiles

Below is an overview of the small, medium and large volume of beverage profiles 1, 2 and 3.

- ▶ Variations may occur as grinders can react different to different types of coffee beans (e.g. dry beans vs. greasy beans).
- ▶ The gram weight is based on the middle position of the coffee grinder.

strength

	1 bean	standard -1 gr.
	2 beans	= standard
	3 beans	standard +1 gr.

selectable volume

	small
	medium
	large

3.1 Profile 1: small volumes / strong coffee

3.1.1 Selectable volume - small

Beverage	Total beverage volume (ml)	1. Coffee volume (ml)	2. Milk volume (ml)	3. Hot water volume (ml)	(g)	(g)	(g)	Dosing order
Ristretto	15	15.0	x	x	7.5	8.5	9.5	x
Ristretto x2	30	30.0	x	x	14.0	15.0	16.0	x
Espresso	20	20.0	x	x	7.5	8.5	9.5	x
Espresso x2	40	40.0	x	x	14.0	15.0	16.0	x
Flat white	140	20.0	120.0	x	9.0	10.0	11.0	1.-2.
Americano	80	20.0	x	60.0	7.0	8.0	9.0	1.-3.
Cappuccino	140	20.0	120.0	x	8.0	9.0	10.0	1.-2.
Espresso macchiato	35	20.0	15.0	x	7.0	8.0	9.0	1.-2.
Latte macchiato	160	20.0	140.0	x	7.0	8.0	9.0	2.-1.
White Coffee	160	40.0	120.0	x	7.0	8.0	9.0	1.-2.
Hot water	80	x	x	80.0	x	x	x	x
Hot milk foam	80	x	80.0	x	x	x	x	x

3.1.2 Selectable volume - medium



Beverage	Total beverage volume (ml)	1. Coffee volume (ml)	2. Milk volume (ml)	3. Hot water volume (ml)	(g)	(g)	(g)	Dosing order
<i>Ristretto</i>	20	20.0	x	x	9.5	10.5	11.5	x
<i>Ristretto x2</i>	40	40.0	x	x	14.0	15.0	16.0	x
<i>Espresso</i>	30	30.0	x	x	9.5	10.5	11.5	x
<i>Espresso x2</i>	60	60.0	x	x	14.0	15.0	16.0	x
<i>Flat white</i>	160	30.0	130.0	x	10.0	11.0	12.0	1.-2.
<i>Americano</i>	100	30.0	x	70.0	9.0	10.0	11.0	1.-3.
<i>Cappuccino</i>	160	30.0	130.0	x	9.0	10.0	11.0	1.-2.
<i>Espresso macchiato</i>	55	30.0	25.0	x	9.0	10.0	11.0	1.-2.
<i>Latte macchiato</i>	180	30.0	150.0	x	9.0	10.0	11.0	2.-1.
<i>White Coffee</i>	180	50.0	130.0	x	9.0	10.0	11.0	1.-2.
<i>Hot water</i>	100	x	x	100.0	x	x	x	x
<i>Hot milk foam</i>	100	x	100.0	x	x	x	x	x




3.1.3 Selectable volume - large






Beverage	Total beverage volume (ml)	1. Coffee volume (ml)	2. Milk volume (ml)	3. Hot water volume (ml)	(g)	(g)	(g)	Dosing order
<i>Ristretto</i>	25	25.0	x	x	11.5	12.5	13.5	x
<i>Ristretto x2</i>	50	50.0	x	x	14.0	15.0	16.0	x
<i>Espresso</i>	40	40.0	x	x	11.5	12.5	13.5	x
<i>Espresso x2</i>	80	80.0	x	x	14.0	15.0	16.0	x
<i>Flat white</i>	180	40.0	140.0	x	12.0	13.0	14.0	1.-2.
<i>Americano</i>	120	40.0	x	80.0	11.0	12.0	13.0	1.-3.
<i>Cappuccino</i>	180	40.0	140.0	x	11.0	12.0	13.0	1.-2.
<i>Espresso macchiato</i>	75	40.0	35.0	x	11.0	12.0	13.0	1.-2.
<i>Latte macchiato</i>	200	40.0	160.0	x	11.0	12.0	13.0	2.-1.
<i>White Coffee</i>	200	60.0	140.0	x	11.0	12.0	13.0	1.-2.
<i>Hot water</i>	120	x	x	120.0	x	x	x	x
<i>Hot milk foam</i>	120	x	120.0	x	x	x	x	x

3.2 Profile 2: average volumes / regular strength




3.2.1 Selectable volume - small

Beverage	Total beverage volume (ml)	1. Coffee volume (ml)	2. Milk volume (ml)	3. Hot water volume (ml)	 (g)	 (g)	 (g)	Dosing order
Ristretto	20	20.0	x	x	6.0	7.0	8.0	x
Ristretto x2	40	40.0	x	x	11.0	13.0	15.0	x
Espresso	30	30.0	x	x	6.0	7.0	8.0	x
Espresso x2	60	60.0	x	x	11.0	13.0	15.0	x
Flat white	160	30.0	130.0	x	9.0	10.0	11.0	1.-2.
Americano	100	30.0	x	70.0	6.5	7.5	8.5	1.-3.
Cappuccino	160	30.0	130.0	x	6.0	7.0	8.0	1.-2.
Espresso macchiato	45	30.0	15.0	x	6.0	7.0	8.0	1.-2.
Latte macchiato	180	30.0	150.0	x	6.0	7.0	8.0	2.-1.
White Coffee	180	50.0	130.0	x	6.0	7.0	8.0	1.-2.
Hot water	100	x	x	100.0	x	x	x	x
Hot milk foam	100	x	100.0	x	x	x	x	x

3.2.2 Selectable volume - medium

Beverage	Total beverage volume (ml)	1. Coffee volume (ml)	2. Milk volume (ml)	3. Hot water volume (ml)	 (g)	 (g)	 (g)	Dosing order
Ristretto	25	25.0	x	x	7.0	8.0	9.0	x
Ristretto x2	50	50.0	x	x	13.0	15.0	16.0	x
Espresso	40	40.0	x	x	7.0	8.0	9.0	x
Espresso x2	80	80.0	x	x	13.0	15.0	16.0	x
Flat white	180	40.0	140.0	x	9.5	10.5	11.5	1.-2.
Americano	120	40.0	x	80.0	7.0	8.0	9.0	1.-3.
Cappuccino	180	40.0	140.0	x	7.0	8.0	9.0	1.-2.
Espresso macchiato	65	40.0	25.0	x	7.0	8.0	9.0	1.-2.
Latte macchiato	200	40.0	160.0	x	7.0	8.0	9.0	2.-1.
White Coffee	200	60.0	140.0	x	7.0	8.0	9.0	1.-2.
Hot water	120	x	x	120.0	x	x	x	x
Hot milk foam	120	x	120.0	x	x	x	x	x




3.2.3 Selectable volume - large

Beverage	Total beverage volume (ml)	1. Coffee volume (ml)	2. Milk volume (ml)	3. Hot water volume (ml)	 (g)	 (g)	 (g)	Dosing order
<i>Ristretto</i>	30	30.0	x	x	8.0	9.0	10.0	x
<i>Ristretto x2</i>	60	60.0	x	x	15.0	16.0	16.0	x
<i>Espresso</i>	50	50.0	x	x	8.0	9.0	10.0	x
<i>Espresso x2</i>	100	100.0	x	x	15.0	16.0	16.0	x
<i>Flat white</i>	200	50.0	150.0	x	10.0	11.0	12.0	1.-2.
<i>Americano</i>	140	50.0	x	90.0	8.0	9.0	10.0	1.-3.
<i>Cappuccino</i>	200	50.0	150.0	x	8.0	9.0	10.0	1.-2.
<i>Espresso macchiato</i>	85	50.0	35.0	x	8.0	9.0	10.0	1.-2.
<i>Latte macchiato</i>	220	50.0	170.0	x	8.0	9.0	10.0	2.-1.
<i>White Coffee</i>	220	70.0	150.0	x	8.0	9.0	10.0	1.-2.
<i>Hot water</i>	140	x	x	140.0	x	x	x	x
<i>Hot milk foam</i>	140	x	140.0	x	x	x	x	x




3.3 Profile 3: large volumes / regular strength

► Double beverages are dispensed in 2 brew cycles.




3.3.1 Selectable volume - small

Beverage	Total beverage volume (ml)	1. Coffee volume (ml)	2. Milk volume (ml)	3. Hot water volume (ml)	 (g)	 (g)	 (g)	Dosing order
Ristretto	30	30.0	x	x	8.0	9.0	10.0	x
Ristretto x2								
Espresso	50	50.0	x	x	8.0	9.0	10.0	x
Espresso x2								
Flat white	200	50.0	150.0	x	9.0	10.0	11.0	1.-2.
Americano	140	50.0	x	90.0	8.0	9.0	10.0	1.-3.
Cappuccino	200	50.0	150.0	x	8.0	9.0	10.0	1.-2.
Espresso macchiato	85	55.0	30.0	x	8.0	9.0	10.0	1.-2.
Latte macchiato	220	50.0	170.0	x	8.0	9.0	10.0	2.-1.
White coffee	220	70.0	150.0	x	8.0	9.0	10.0	1.-2.
Hot water	140	x	x	140.0	x	x	x	x
Hot milk foam	140	x	140.0	x	x	x	x	x

3.3.2 Selectable volume - medium

Beverage	Total beverage volume (ml)	1. Coffee volume (ml)	2. Milk volume (ml)	3. Hot water volume (ml)	 (g)	 (g)	 (g)	Dosing order
Ristretto	40	40.0	x	x	9.0	10.0	11.0	x
Ristretto x2								
Espresso	60	60.0	x	x	9.0	10.0	11.0	x
Espresso x2								
Flat white	220	60.0	160.0	x	10.0	11.0	12.0	1.-2.
Americano	160	60.0	x	100.0	9.0	10.0	11.0	1.-3.
Cappuccino	220	60.0	160.0	x	9.0	10.0	11.0	1.-2.
Espresso macchiato	105	65.0	40.0	x	9.0	10.0	11.0	1.-2.
Latte macchiato	240	60.0	180.0	x	9.0	10.0	11.0	2.-1.
White coffee	240	80.0	160.0	x	9.0	10.0	11.0	1.-2.
Hot water	160	x	x	160.0	x	x	x	x
Hot milk foam	160	x	160.0	x	x	x	x	x

3.3.3 Selectable volume - large

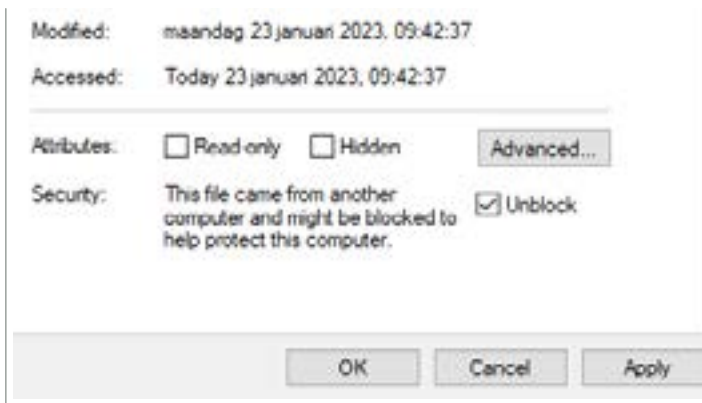
Beverage	Total beverage volume (ml)	1. Coffee volume (ml)	2. Milk volume (ml)	3. Hot water volume (ml)	 (g)	 (g)	 (g)	Dosing order
<i>Ristretto</i>	50	50.0	x	x	10.0	11.0	12.0	x
<i>Ristretto x2</i>								
<i>Espresso</i>	70	70.0	x	x	10.0	11.0	12.0	x
<i>Espresso x2</i>								
<i>Flat white</i>	240	70.0	170.0	x	11.0	12.0	13.0	1.-2.
<i>Americano</i>	180	70.0	x	110.0	10.0	11.0	12.0	1.-3.
<i>Cappuccino</i>	240	70.0	170.0	x	10.0	11.0	12.0	2.-1.
<i>Espresso macchiato</i>	125	75.0	50.0	x	10.0	11.0	12.0	1.-2.
<i>Latte macchiato</i>	260	70.0	190.0	x	10.0	11.0	12.0	2.-1.
<i>White coffee</i>	260	90.0	170.0	x	10.0	11.0	12.0	1.-2.
<i>Hot water</i>	180	x	x	180.0	x	x	x	x
<i>Hot milk foam</i>	180	x	180.0	x	x	x	x	x

4. Software update instructions

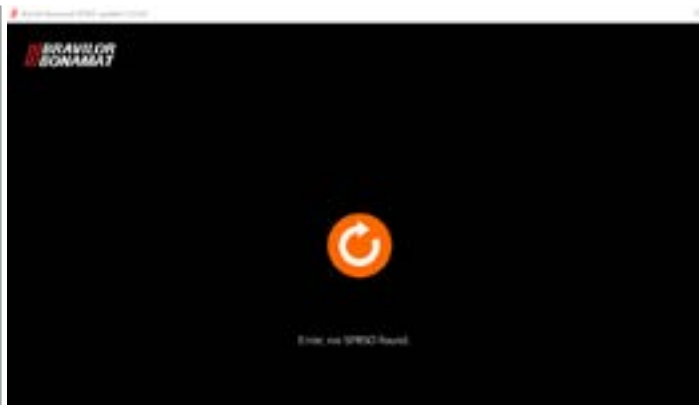
- ▶ The update will overwrite all software, including all personal settings (the water and grinder calibration values remain unchanged).

Necessities:

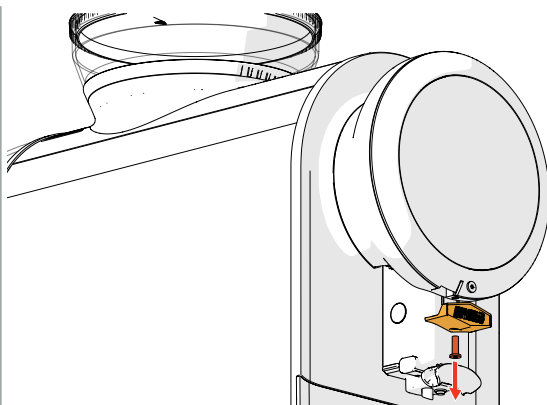
- Windows device (windows 7 or later)
- USB cable (USB-A to USB-C)
- torx 10 screwdriver
- ▶ *USB-C to USB-C does not work.*



- download the zip-file from our website
- extract the file to a folder
- right-click on the file to open its properties
- check the **“unblock”** box
- click 'OK' to confirm



- ▶ *The Sprso must be connected to the mains.*
- start the application, the screen on the left will appear followed by the next screen



Preparation of the Sprso:

- remove the screw from the brand name buckle
- remove the brand name buckle (the USB-C connection becomes available)
- plug in the USB-C cable on the Sprso
- plug in the USB-A cable on the windows device



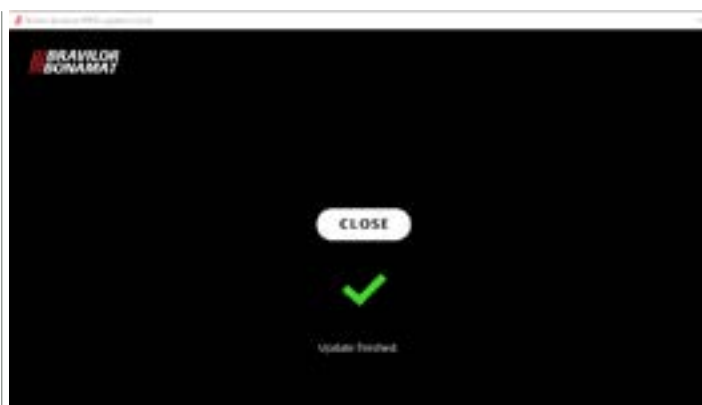
- ▶ The update will overwrite all personal settings
- press **"start"** to overwrite the software



- Progress screen:
- wait until the process is finished




Progress screen Sprso





- the procedure is completed and the Sprso will automatically restarts
- press **"close"** to exit the application
- unplug the USB cable
- reattach the brand name buckle
- re-enter your personal settings

5. Troubleshooting

5.1 Warning messages

Nr	Message	Description	Reset condition
ME01	fill or place water tank	no water detected in water tank	• fill water tank and place water tank in correct position
		water tank not present	• place water tank in correct position
		float not in upper position due to:	• check free movement float
		» pollution	• clean
		» leak in the float	• replace float
		» poor conductivity	• clean the float
		» I/O board	• check the ferrite rod, see section 2.8 on page 16 • replace I/O board
ME02	not applicable		
ME03	close side panel	side/service panel not in correct position	• close side/service panel (in correct position)
		panel switch not activated	• replace switch • replace I/O board
ME04	place drip tray + waste bin	waste bin not in place	• place drip tray with waste bin (in correct position)
		waste bin switch not activated	• replace switch • replace I/O board
ME05	empty waste bin The icon below is visible on the 'beverage selection screen'. 	waste bin counter exceeded	• remove the drip tray, empty the waste bin inclusive the drip tray, put the parts back in the correct position and confirm the operation on the screen
ME06	not applicable		
ME07	clean milk system	will be displayed when machine flush or start-up flush is active and a milk unit is activated in the software	• only a reminder

Nr	Message	Description	Reset condition
ME08	clean CIRCO brewer The icon below is visible on the <i>'beverage selection screen'</i> . 	the counter for the cleaning procedure of the CIRCO brewer is reached (the first message is displayed after 125 brewing cycles - the message is repeated after every coffee-related beverage until the CIRCO brewer is cleaned)	<ul style="list-style-type: none"> perform the procedure described in section "7.1.3 Clean coffee system" in the digital user manual 700.470.010
ME09	replace water filter The icon below is visible on the <i>'beverage selection screen'</i> . 	the water filter counter has been reached (the message appears after "XX" litres have passed through the water counter and is repeated after every 11 beverages)	<ul style="list-style-type: none"> replace the water filter and confirm this in section "7.1.6 Water filter" in the digital user manual 700.470.010
ME10	descale machine	the counter for the descaling is reached (the message is repeated after every 9 beverages)	<ul style="list-style-type: none"> descale the Sprso as described in section "7.1.5 Descale" in the digital user manual 700.470.010
ME11	not applicable		
ME12	CIRCO brewer jammed by grinding or obstruction	CIRCO brewer is blocked. too much coffee ground in the CIRCO brewer or an obstruction	<ul style="list-style-type: none"> remove the obstruction

5.2 Error messages

Nr	Error	Description	Reset condition
00000	communication failed	communication between HMI- and I/O-board defect	<ul style="list-style-type: none"> • press start button, machine will be restarted • check the wiring
00201	no water flow detected	no water flow detected in system	<ul style="list-style-type: none"> • clean water tank • fill water tank and place water tank in correct position • press start button, machine will be restarted • check the following parts: <ul style="list-style-type: none"> » water counter » pump » pump connected incorrectly, see §2.11 » hoses » float water tank » heating element » high temperature safety switches (non-reset-able) » I/O board » all associated wiring » leakage water system
00401	grinder blocked	grinder is blocked or broken	<ul style="list-style-type: none"> • remove all the beans from the grinder with a vacuum cleaner and remove any obstructions in the grinder • press start button, machine will be restarted • check the following parts: <ul style="list-style-type: none"> » grinder motor » I/O board » all associated wiring
02101	temperature sensor not connected	temperature sensor is not connected or reading invalid	<ul style="list-style-type: none"> • press start button, machine will be restarted • check the temperature sensor

Nr	Error	Description	Reset condition
02102	temperature sensor reading	temperature sensor reading invalid	<ul style="list-style-type: none"> • press start button, machine will be restarted • check the following parts: <ul style="list-style-type: none"> » temperature sensor » I/O board » all associated wiring
02203	heating element protection	heating element is overheated or defect	<ul style="list-style-type: none"> • press start button, machine will be restarted • check the following parts: heating element <ul style="list-style-type: none"> » high temperature safety switches (non-reset-able) » I/O board » all associated wiring
04104	brewer malfunction	CIRCO brewer is blocked or defect	<ul style="list-style-type: none"> • press start button, machine will be restarted • follow procedure of section “CIRCO brewer malfunction (Error 04104)” in the digital user manual 700.470.010 • check the following parts: <ul style="list-style-type: none"> » CIRCO brewer » brewer motor » all associated wiring
10001	I/O-error	I/O safety control fails	<ul style="list-style-type: none"> • press start button, machine will be restarted • check the following parts: <ul style="list-style-type: none"> » I/O board » all associated wiring
10011	heater not responding	dosage not within a reasonable time	<ul style="list-style-type: none"> • press start button, machine will be restarted • check the following parts: <ul style="list-style-type: none"> » temperature sensor » I/O board » all associated wiring
10015	brewer partially mounted	the machine cannot determine the starting position of the CIRCO brewer	<ul style="list-style-type: none"> • press start button, machine will be restarted • follow procedure of section “CIRCO brewer partially mounted (Error 10015)” in the digital user manual 700.470.010

5.3 Other problems

In addition to the messages and errors present in the machine, a number of other problems may occur; these problems are described below.

Problem description	Possible cause	Check the following	
after coffee is selected, neither coffee nor hot water is dispensed	brewer valve not opening	<ul style="list-style-type: none"> • brewer valve • all associated wiring 	
	obstruction in the water system	<ul style="list-style-type: none"> • all associated hoses 	
	safety valve overpressure opened	<ul style="list-style-type: none"> • safety valve overpressure 	
	brewer leaking	<ul style="list-style-type: none"> • brewer 	
after coffee is selected, there is less coffee in the cup than normal	obstruction in the water system	<ul style="list-style-type: none"> • all associated hoses 	
	brewer leaking	<ul style="list-style-type: none"> • brewer 	
after coffee is selected, no coffee is dispensed, only hot water	bean canister empty	<ul style="list-style-type: none"> • fill bean canister 	
	grinder not working	<ul style="list-style-type: none"> • grinder • grinder motor • all associated wiring 	
		grinder outlet missing	<ul style="list-style-type: none"> • grinder outlet
display doesn't turn on	no power on wall socket	<ul style="list-style-type: none"> • power supply on the wall socket 	
	fuse broken	<ul style="list-style-type: none"> • fuse (10A T) 	
	power supply board failure	<ul style="list-style-type: none"> • power supply board 	
	wiring error	<ul style="list-style-type: none"> • all associated wiring • flat-cable 	
buttons surrounding the screen don't work	buttons need to be cleaned	<ul style="list-style-type: none"> • clean buttons 	
	bad flat-cable connection or rupture	<ul style="list-style-type: none"> • flat-cable 	
no crema on coffee beverages	brewer not cleaned	<ul style="list-style-type: none"> • perform the brewer cleaning procedure 	
	brewer defect	<ul style="list-style-type: none"> • brewer components 	
no milk dosed	milk reservoir or packaging empty	<ul style="list-style-type: none"> • refill milk 	
	milk connector and hose not correctly in place	<ul style="list-style-type: none"> • place the milk connector and hose in correct position 	
	steam valve not opening	<ul style="list-style-type: none"> • steam valve • all associated wiring 	

Problem description	Possible cause	Check the following
bad milk foam	outlet not properly in place	• outlet
	outlet not clean	• perform milk cleaning cycle
	milk connector not properly in place	• place milk connector in correct position
	air restriction blocked	• clean air restriction manually, see section 2.2 on page 11
milk sputters very much	milk temperature	• the optimum milk temperature is 5°C; <i>the warmer the milk, the poorer the quality of foam produced</i>
	milk connector not properly in place	• place the milk connector in correct position
water under the machine	water tank not placed correct	• water tank
	drip tray and waste bin not emptied on time	• drip tray and waste bin
	leakage somewhere in the water system	• water system
when the flash heating is switched on, only steam is produced instead of hot water	the flash heater hoses are swapped	• make sure that the hoses of the flash heater are correctly installed, see section 2.14 on page 22

